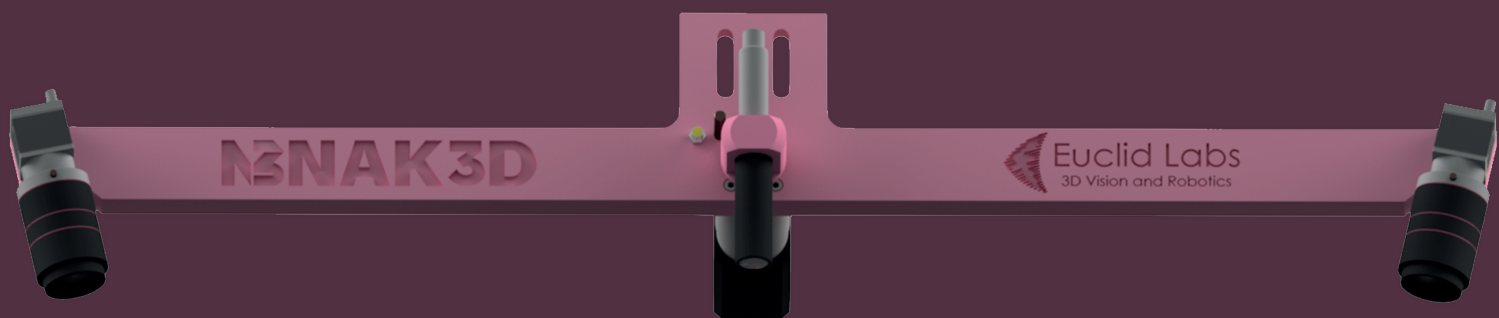
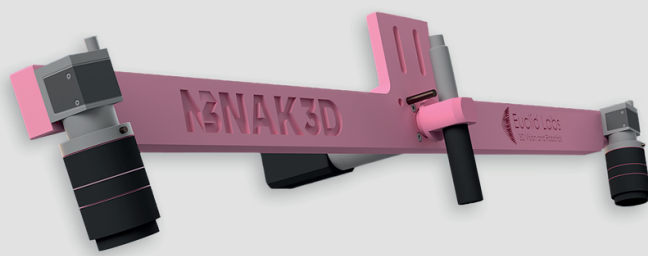


# NAK3D



# 3NAK3D

## stereo vision system

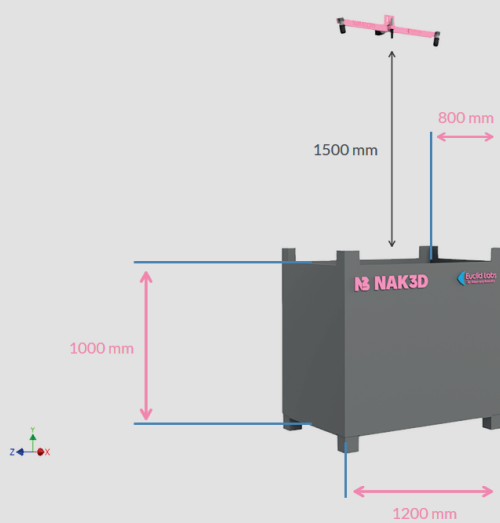


### Components

- 1 n°2 Cameras: Basler aca 1920 155UM
- 2 n°2 Optics: Goyo Lens 12,5 F1:1.4 Filter Thread M35.5xP0.5
- 3 n°2 Filters: Filter Schneider-Bandpass
- 4 n°2 Filters: Filter UV CUT
- 5 n°1 Laser: Z-Laser Z80M18S3-F660-lp45
- 6 n°1 Motor: RH 1S3M
- 7 n°1 Mechanical reducer: SG-P12-040-025-19-HH-52XX-00000
- 8 n°1 Control Box
- 9 n°1 3D Camera Structure
- 10 Connection Cable

### Requirements

- 1 PC with n°2 USB 3
- 2 PC with n°1 Ethernet
- 3 24 Volt Power supply



### Size L Data

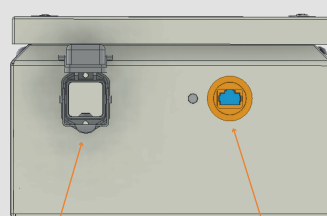
Scan Volume: 1200 x 800 x h1000 mm

Base Line Cameras: 750 mm

Distance from box top: 1500 mm

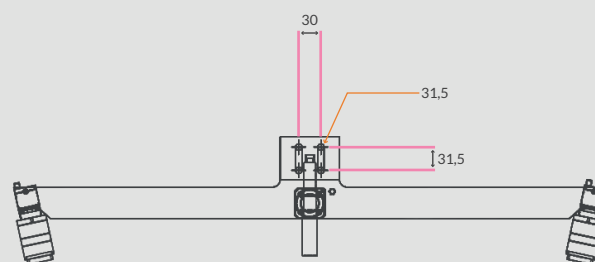
Pcd size: 1500 x 1200 mm

Scan Time: 9 sec



24 volt connector included

Ethernet Connector



Best quality of point clouds  
for very shiny objects